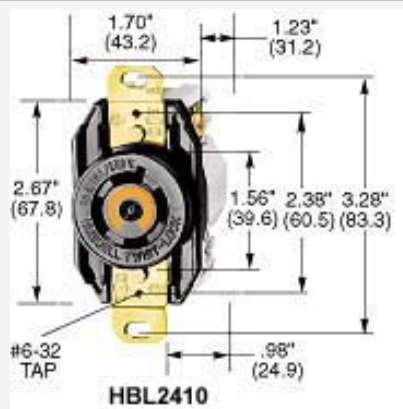


# HBL2410 -- Twist-Lock Receptacle



3P4W, 20A 125/250V, L14-20R, Black Nylon Face

## Product Specifications

### Product Type



### Product Item

Single Receptacle

### Wiring Scheme

3 Pole, 4 Wire Grounding

### Amperage

20A

### Voltage

125/250V AC

### NEMA Configuration

L14-20R

### Item Style

Standard

### Device Color

Black

### Horsepower

2 (1)

### Terminal Clamp Material

.040" (1.0 ) Brass

### Terminal Screw Material

#10-32 Bronze (White finish on neutral screw when used)

### Ground Screw Material

#10-32 Bronze (Green)

<b>Contact Spring Material</b>	.040" Brass
<b>Mounting Screw Material</b>	Steel-zinc-plated
<b>Cover (Top) Material</b>	Black Nylon
<b>Base Material</b>	Nylon Polyester
<b>Ground Contact Material</b>	.040" Brass
<b>Bridge (Mounting Strap) Material</b>	.050" Brass
<b>Back Plate Material</b>	.040" Brass
<b>Rivet Material</b>	Brass
<b>Auto Ground Clip Material</b>	Stainless Steel
<b>Ratings</b>	Molded into face.
<b>Dielectric Voltage Withstand</b>	2,000V minimum.
<b>Current Interrupting</b>	Certified for current interrupting at full rated current.
<b>Temperature Rise</b>	Max 30 C temperature rise at full rated current after 50 cycles of overload at 150% of rated current at a power factor of .75.
<b>Terminal Accommodation</b>	#14 to #8 AWG Copper Only
<b>Terminal Identification</b>	Terminals identified in accordance with UL 498 (X, Y, Z, White, Green)
<b>Flammability</b>	HB or better per UL 94 or CSA 22.2 No. 0.6
<b>Operating Temperatures</b>	Maximum Continuous 75 C Minimum -40 C (w/o impact)
<b>Listings</b>	FED SPEC UL/CSA
<b>Feature Info</b>	Black nylon face.
<b>Catalog Page</b>	<a href="#">Click here for catalog page B37</a>
<b>Brochures</b>	<a href="#">Click here for product brochure</a>
<b>Hubbellnet</b>	<a href="#">Click here for Hubbellnet</a>
<b>Catalog Section</b>	<a href="#">Click here for Section-B</a>
<b>UPC Number</b>	78358523573
<b>Weight in LBs</b>	0.25



NEMA L14-20R  
**20A 125/250V**  
UL/CSA  
2 (1) HP

NEMA  
Configuration



## TWIST-LOCK® Devices

### 3 Pole, 4 Wire Grounding

20 Ampere, 125/250 Volts, 3Ø 250 and 3Ø 480 Volts AC

Receptacles, INSULGRIP® Connector Bodies, Flanged Devices and Plugs



NEMA L14-20R  
20A 125/250V AC  
UL/CSA  
2 (1) HP



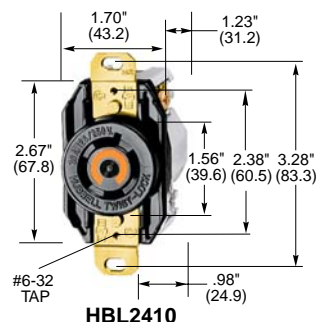
NEMA L15-20R  
20A 3Ø 250V AC  
UL/CSA  
3 HP



NEMA L16-20R  
20A 3Ø 480V AC  
UL/CSA  
5 HP

#### Single Flush Receptacles, Back and Side Wired

Description	Catalog Numbers		
Black nylon face.	<b>HBL2410</b>	<b>HBL2420</b>	<b>HBL2430</b>
Isolated ground, orange nylon face.	<b>IG2410</b>	<b>IG2420</b>	-



#### Insulgrip Connector Bodies IP20 SUITABILITY

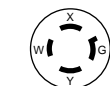
Description	Catalog Numbers		
Black and white nylon.	<b>HBL2413</b>	<b>HBL2423</b>	<b>HBL2433</b>
Corrosion resistant, yellow nylon.	<b>HBL24CM13</b>	<b>HBL24CM23</b>	<b>HBL24CM33</b>

Note: Cord clamp range .35"-1.15" (9-29).



#### Insulgrip Flanged Receptacles

Description	Catalog Numbers		
Nylon casing, back wired.	<b>HBL2416</b>	<b>HBL2426</b>	<b>HBL2436</b>



NEMA L14-20P  
20A 125/250V AC  
UL/CSA  
2 (1) HP



NEMA L15-20P  
20A 3Ø 250V AC  
UL/CSA  
3 HP



NEMA L16-20P  
20A 3Ø 480V AC  
UL/CSA  
5 HP

#### Insulgrip Plugs IP20 SUITABILITY

Description	Catalog Numbers		
Black and white nylon.	<b>HBL2411</b>	<b>HBL2421</b>	<b>HBL2431</b>
Corrosion resistant, yellow nylon.	<b>HBL24CM11</b>	<b>HBL24CM21</b>	<b>HBL24CM31</b>

Notes: Cord clamp range .35"-1.15" (9-29).  
See page B-73 for Add-A-Shroud™ kit.



#### Insulgrip Flanged Inlets

Description	Catalog Numbers		
Nylon casing, back wired.	<b>HBL2415</b>	<b>HBL2425</b>	<b>HBL2435</b>

Notes: All HP ratings are AC only.  
HP ratings not in parentheses are phase to phase.  
HP rating in parentheses is phase to neutral.  
Only receptacles and plugs are HP rated.  
See pages B-70 and B-71 for accessories.  
For technical information see page B-83.  
See page B-63 for switched enclosure.

